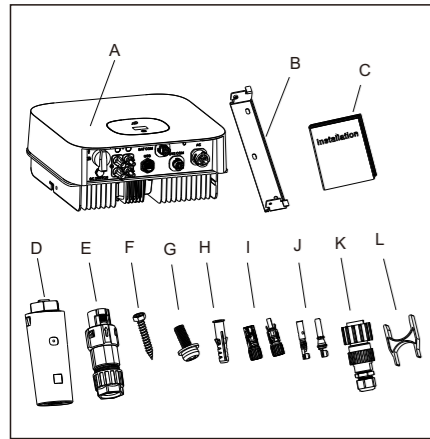


MIN 2500-6000 TL-XE/X Quick Guide

1. Overview

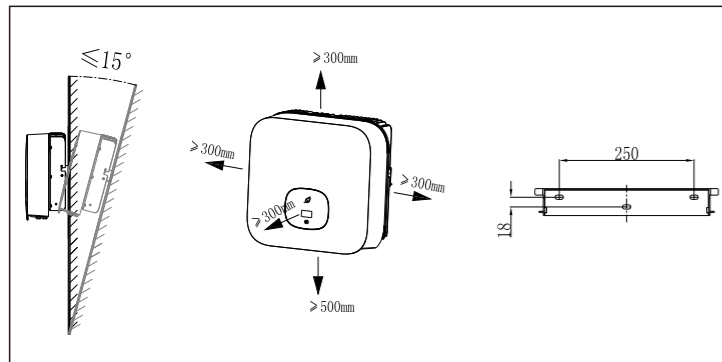


Object	Description	Quantity	H	Plastic expansion pipe	3
A	Inverter	1	I	PV+/PV- terminal	2/2
B	Mounting bracket	1	J	PV+/PV- metal terminal	2/2
C	Quick Guide	1	K	AC connector	1
D	Monitor(Optional)	1	L	Uninstall signal and AC connector tool	1
E	Signal connector	2	⚠ Notice: Before installing the device, check that the package contents are intact and complete against the packing list. If any damage is found or any component missing, contact your dealer.		
F	Self-tapping screws	3			
G	Safety-lock screw	1			

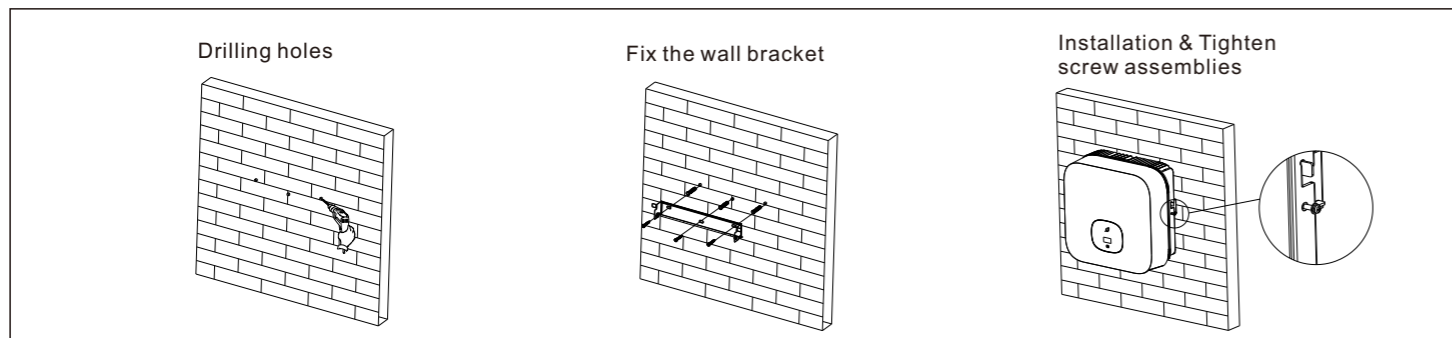
2. Installing the Device

2.1 Installation Requirements

Tilt and Space

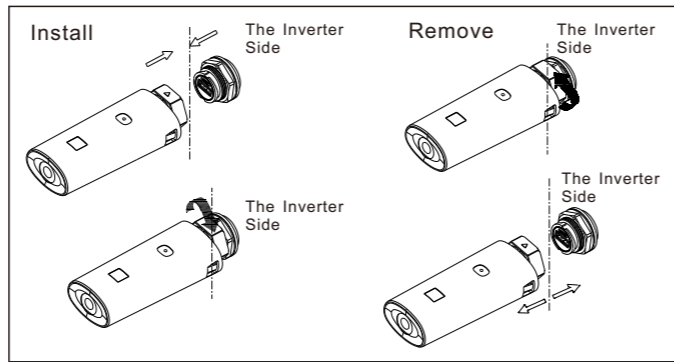


2.2 Installing the Mounting Bracket And Min 2500-6000 TL-XE/X



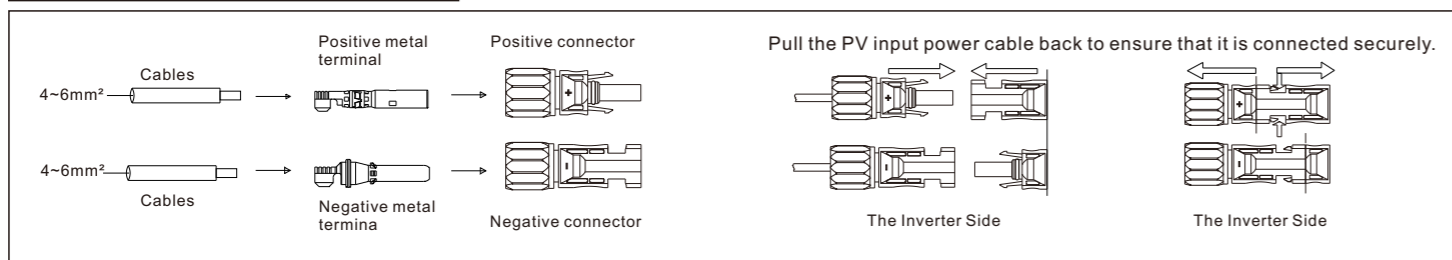
2.3 Installing the Monitor

Ensure that the Monitor is installed securely.

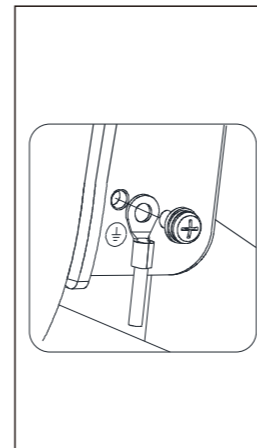


3. Connecting Cables

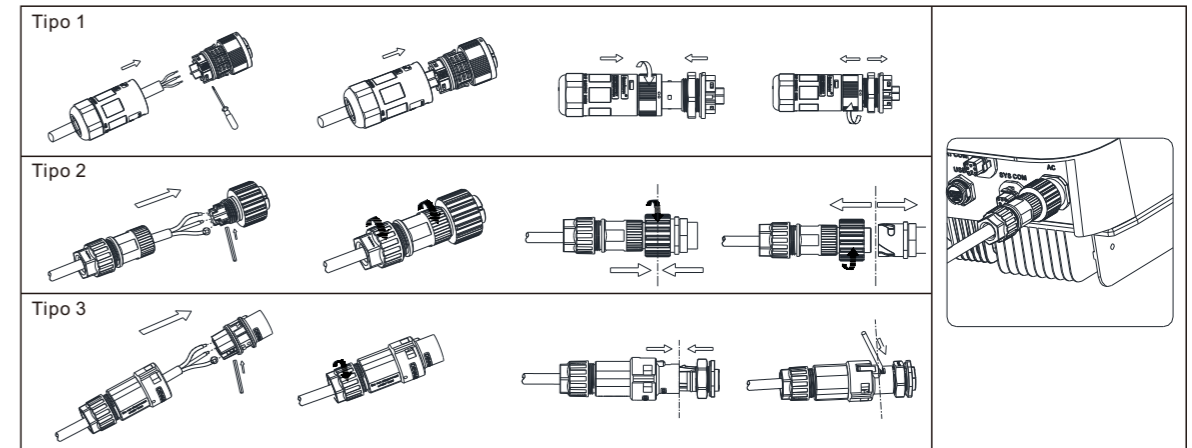
3.1 Installing the PV Input Power Cable



3.2 Grounding

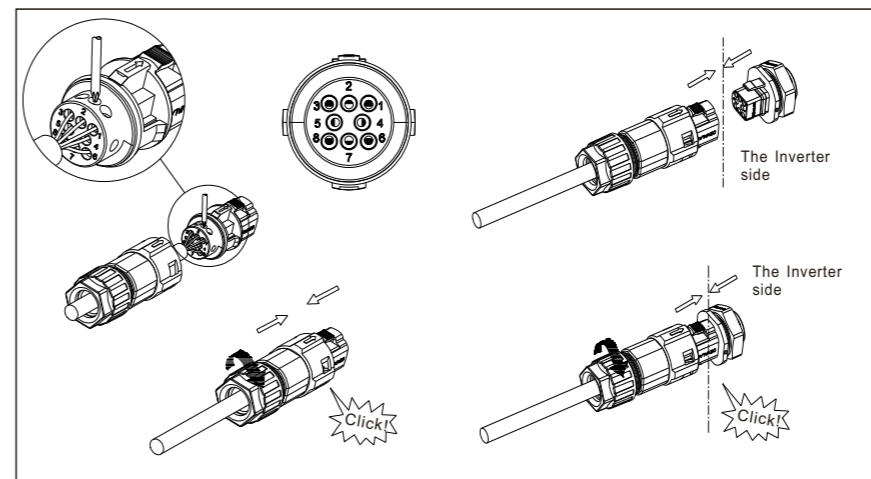


3.3 AC output connection



⚠ Notice:
Suggest using 6mm² cables. Ensure the exposed core wire is totally inserted into the cable hole and connected securely.

3.4 Installing the Signal Cable



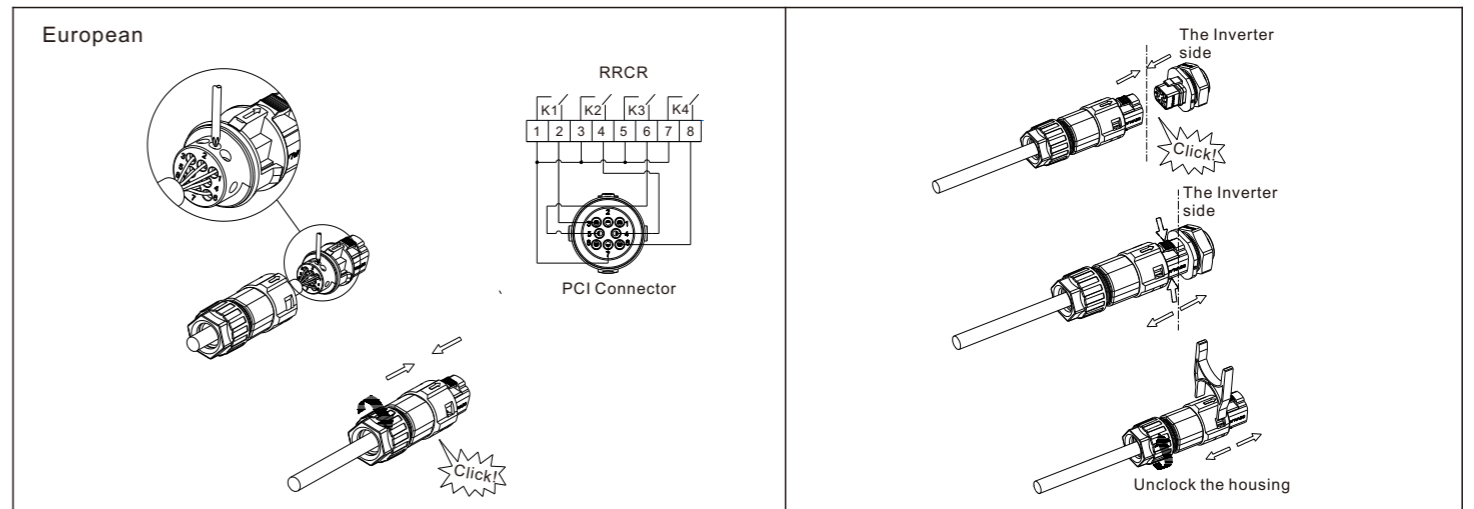
SYS COM Port Pin Definitions

NO.	Definition
3	RS485A2
4	RS485B2
5	RS485A1
6	RS485B1

Signal for RS485 (pins 3, 4)
Signal for Meter (pins 5, 6)

3.5 Installing the PCI Cable

We use 8Pin COM Port Connector as Power Control Interface(PCI) for European models.



COM Port Pin Definitions- Power Control Interface(PCI).

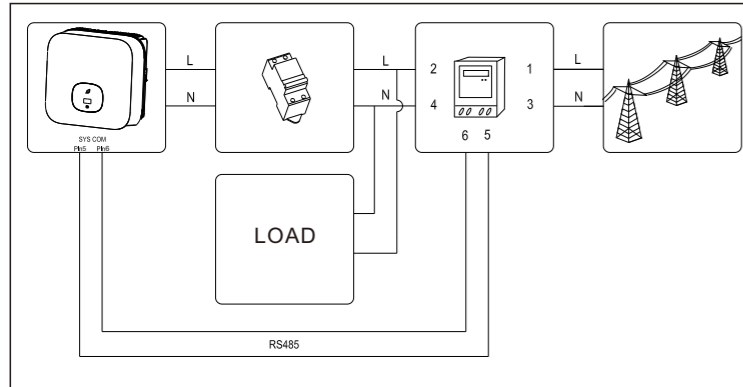
NO	1	2	3	4	5	6	7	8
Function	+12V	GND	Relay contact 1 input	Relay contact 2 input	Relay contact 3 input	Relay contact 4 input	GND	Not connected
Connect to RRCR	Not connected	K1- output	K2- output	K3- output	K4- output	Relays common node	Not connected	Not connected

⚠ Notice:

1. When laying out signal cables, separate them from power cables to avoid strong signal interference sources.
2. Do not confuse the connector to the COM port and the connector to the SYS COM port.
3. The COM port Aonly provides a functional port-PCI or DRM.

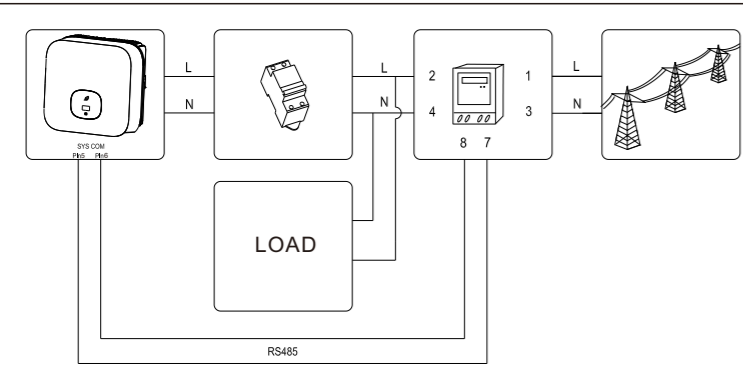
4. Connecting Meter

The following table describes how we can connect EASTRON meter (SDM230-Modbus) to inverter:



Meter Pin NO.	Description	Connect to Inverter
1	L-in	/
2	L-out	AC connector & Load L
3	N-in	/
4	N-out	AC connector & Load N
5	RS485A	SYS COM Pin 5 RS485A1
6	RS485B	SYS COM Pin 6 RS485B1

The following table describes how we can connect CHINT meter (DDSU666) to inverter:

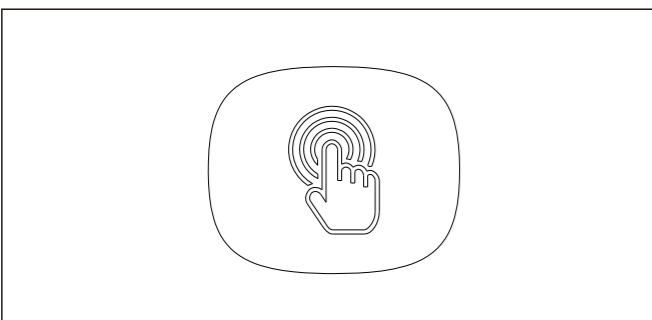


Meter Pin NO.	Description	Connect to Inverter
1	L-in	/
2	L-out	AC connector & Load L
3	N-in	/
4	N-out	AC connector & Load N
7	RS485A	SYS COM Pin 5 RS485A1
8	RS485B	SYS COM Pin 6 RS485B1

5. Verifying the Installation

1. The MIN 2500-6000TL-XE/X is installed correctly and securely.
2. The Monitor is installed correctly and securely.
3. The Ground cable is connected correctly and securely.
4. The DC switch and all the switches connecting to the MIN 2500-6000TL-XE/X are OFF.
5. The AC output power cable, DC input power cable and signal cable are connected correctly and securely.
6. Unused terminals and ports are locked by watertight caps.

6. Powering On the System



Touch button	Description
Single touch	Switch display or Number +1
Double touch	Enter
Three touch	Previous menu
Hold 5s	Confirm Country setting or Number recover default value

Step1: Turn on the AC switch between the MIN 2500-6000 TL-XE/X and the AC Grid.
 Step2: Turn on the DC switch at the bottom of the MIN 2500-6000TL-XE/X.
 Step3: When the OLED show "Country/Area", Please Set the country follow the below step otherwise skip all steps.

Step4: Single touch to switch Country, such as

Country/Area
N4105

Step5: Press the touch key for 5s, the OLED shows Country setting is complete.

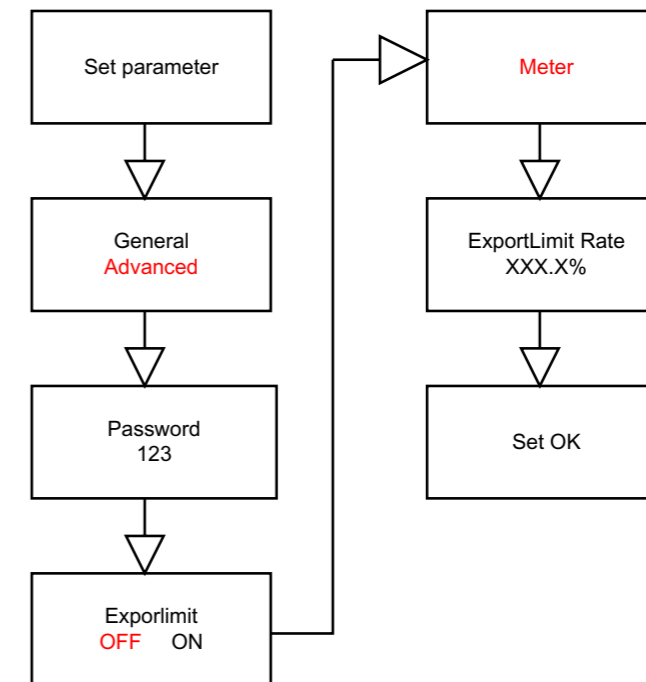
Country/Area
VDE0126

Set OK

Tips:

1. If the LED light is green, the system is operating normally.
2. You can reset the country by "Country/Area" in the submenu of "Set parameter".

7. Export limitation setting



Under the permission given by your energy provider, the ratio of your system output power divided by the rated power of the inverter is called Export Limit Rate. For instance, if the energy provider only accepts 4kW from your 5KW system, then the Export Limit Rate of 5kW inverter is 80.0%.

8. Service and contact

Shenzhen Growatt New Energy Co., Ltd
 4-13/F, Building A, Sino-German(Europe) Industrial Park,
 Hangcheng Ave, Bao'an District, Shenzhen, China
 T +86 0755 2747 1942
 E service@ginverter.com
 W www.ginverter.com



Download Manual



Growatt New Energy